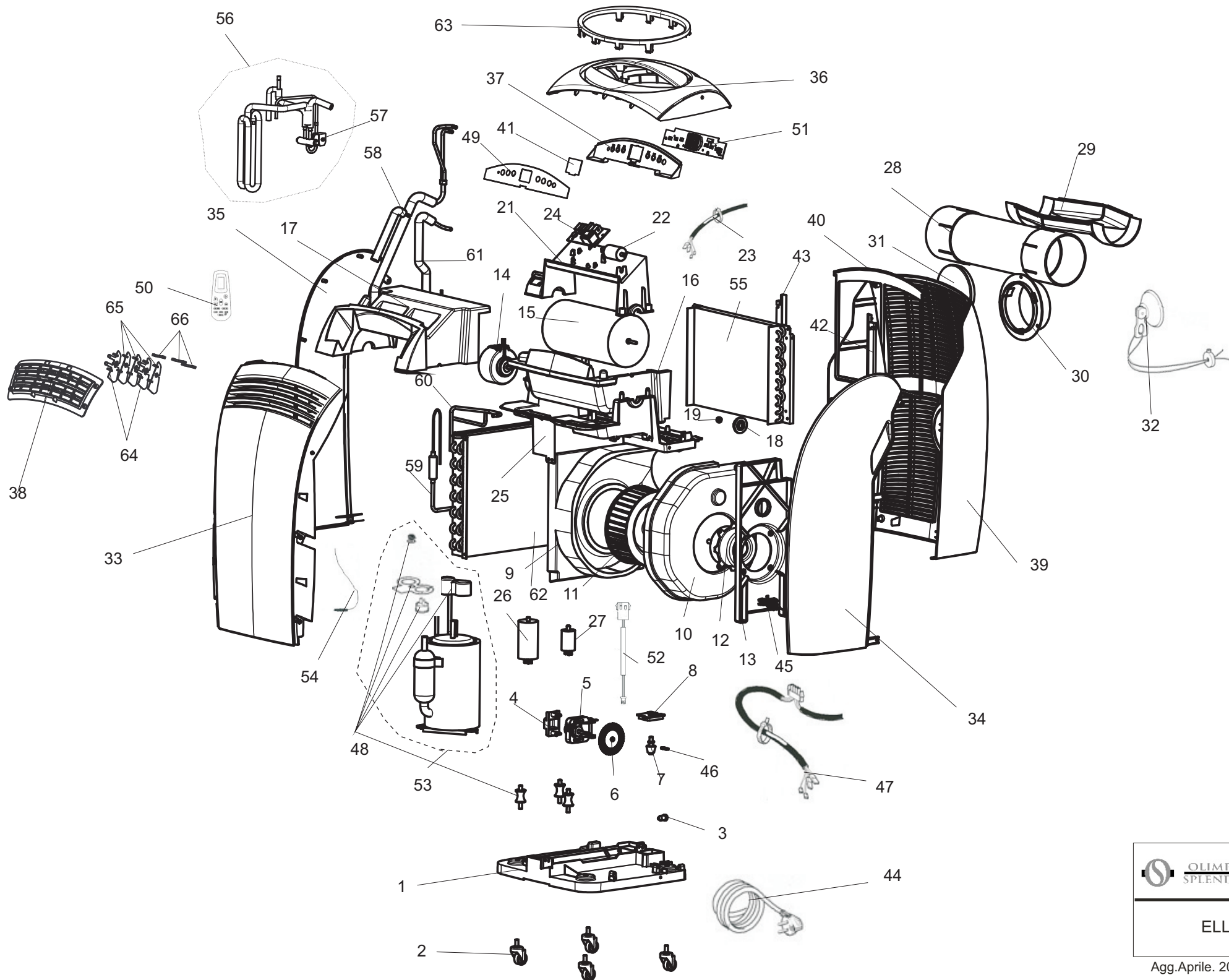


CODE	DESCRIPTION	POS.	GR.
K070024296C	BASIS	1	
279306A	WHEEL DIAMETER 30 MM	2	
K190000500A	RUBBER PLUG	3	
K070024396A	DRAINING MOTOR FIXING PLATE	4	
J060003900B	DRAINING MOTOR	5	
K070024496A	WATER PUMP RUNNER	6	
276058A	ELECTRICAL SENSOR	7	
K070024596A	WATER TANK COVER	8	
K260005100A	EPS CONVEYOR WITH NOZZLE	9	
K260005200A	EPS MOTOR CONVEYOR	10	
K070024696A	CENTRIFUGAL FAN D.200	11	
J060004000A	CONDENSER FAN	12	
K070024796C	MOTOR MOUNT BRACKET	13	
J060004100A	EVAPORATOR FAN MOTOR	14	
K060003900A	TANGENTIAL FAN D.135X264	15	
G0544A	EPS LOWER CONVEYOR GROUP	16	
K260005400A	EPS UPPER CONVEYOR	17	
279391A	FAN ELASTIC MOUNT	18	
279392A	TEFLON BEARING	19	
K070024896B	MOTOR LOCKING BRACKET	21	
K210019200A	CAPACITOR MF 1,2	22	
K160005000B	CAPACITOR WIRING	23	
K200006100A	POWER BOARD	24	
G0545A	INTERMEDIATE WATER CONTAINER GROUP	25	
275964A	CAPACITOR 25 mF DOUBLE FASTON	26	
275977A	CAPACITOR 3,15 mF DOUBLE FASTON	27	
598864A71	AIR OUTLET PIPE ASSEMBLY	28	
K070025093A	WINDOWS CONVEYOR	29	
281727A75	TRANSPARENT FLANGE FOR PIPE	30	
281726A75	TRANSPARENT FLANGE CAP	31	
592501A90	SUCTION CUP AND CORD ASSEMBLY	32	
G0628A	FRONT PLASTIC PARTS ASSY	33	
K070025272A	RIGHT PLASTIC SIDE FRAME	34	
K070025372A	LEFT PLASTIC SIDE FRAME	35	
K070038972A	UPPER DOME	36	
K070038672A	CONTROL PANEL	37	
K070039072A	OUTLET AIR GRILL	38	
G0546A	REAR PART GROUP	39	
K070025872A	FILTER	40	
K070038795A	LCD GLASS	41	
K070026496B	RIGHT FILTER SADDLE	42	
K070026596A	LEFT FILTER SADDLE	43	
L160016600A	PIU' POWER CORD ASSEMBLY	44	
276210A	ELETTROGIBI 3 POLES PA27 TERMINAL B	45	
279386B	FLAT CABLE FASTENER I.D.18 MM	46	
K160018600A	GENERAL WIRING	47	
G0624A	GA080PBB COMPRESSOR ACCESSORIES	48	
K170064100A	CONTROL PANEL LABEL	49	
K200006300A	REMOTE CONTROL	50	
K200006200A	DISPLAY BOARD	51	
K210023600A	WATER PROBE WIRING	52	
276945A	GA080PBB COMPRESSOR	53	
K210023500A	ROOM TEMP.PROBE	54	
G0548A	EVAPORATOR HEAT EXCHANGER GROUP	55	
L020049900A	4 WAY VALVE GROUP	56	
276806A	4 WAY VALVE COIL	57	L020049900A
K100041700A	EVAPORATOR OUTLET PIPE	58	
K100041900A	CONDENSER OUTLET PIPE+CAPILLARY	59	
K100042000A	CONDENSER INLET PIPE	60	
K100041800A	EVAPORATOR INLET PIPE	61	
K030006200A	CONDENSER HEAT EXCHANGER	62	
K070038557A	PLASTIC RING	63	
K070039172A	CENTRAL FLAP	64	
K070039272A	LATERAL FLAP	65	
K070039372A	FLAP INTERMEDIATE CONTROL	66	
282117A	WATER DRAINING FITTING PIPE	67	




**OLIMPIA
SPLENDID** Via G. Rossa 1-3
Gualtieri (R.E.)

ELLISSE HP

Agg. Aprile. 2011 - RIF:122.00